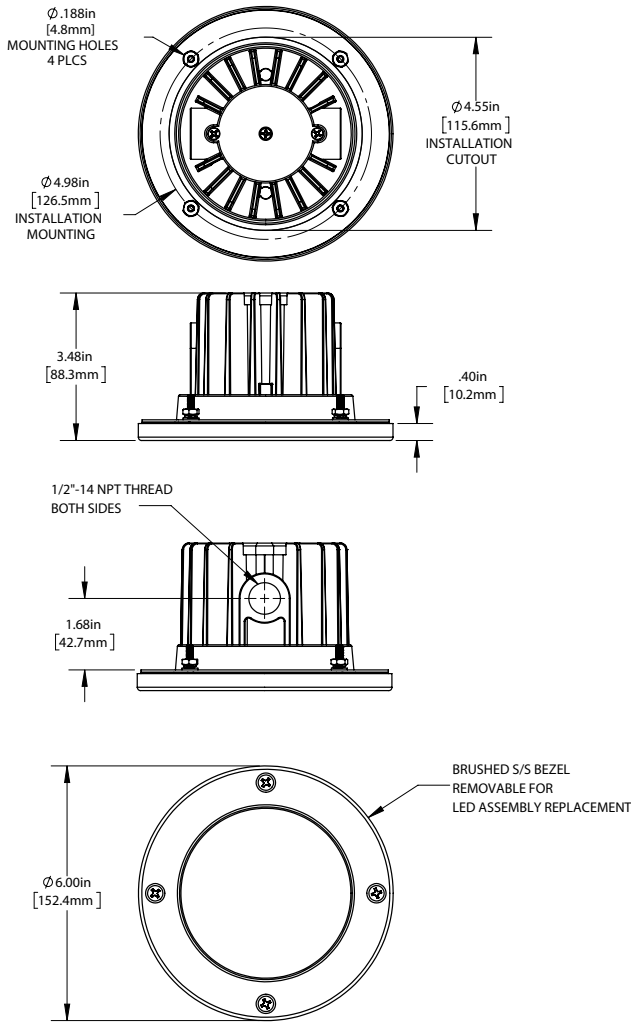


Component Hardware® Round Recessed  
 15 Watt Warm White Dimmable LED  
 Down Light  
**LED-L80-15DW**



Dimensions shown in inches (mm) are for reference only and are subject to change.

**LED Round Recessed 15 Watt Dimmable LED Down Light**
**Energy Efficient LED Lights**

- Energy efficient 15 Watt LED array emits 1,250 lumens – 83 lumens/watt
- Saves up to 85% energy consumption as compared to a standard 100W incandescent light
- May be wired with a dimmer switch to control ideal lighting conditions at the work surface
- 50,000 hour service life – 50 times longer than a standard 100W incandescent bulb
- Rated to a maximum operating temperature of 80°C (176°F)
- Passivated aluminum heat sink effectively dissipates heat to prolong the life of the LEDs and on-board driver
- Suitable for use in commercial cooking hoods
- Suitable for use in wet or dry locations
- Designed for easy installation
- Furnished with tempered glass lens and stainless steel frame

**SPECIFICATIONS:**

Wattage: 15W  
 Voltage: 120 VAC, 60 Hz  
 Amperage: 0.13A  
 Initial Lumens: 1250  
 Efficacy: 83 Lumens/Watt  
 CRI: > 80  
 Beam Angle: 95°  
 Color Temp +/- 175: 3045  
 Flammability Rating: VW-1 (UL), FT1 (CSA)  
 Overall Size: 6" Dia. X 3.48" H  
 Driver: Driver-on-Board, 15W  
 Ports: 2 each (1/2"-14 NPT)  
 Operating Temp Range: 32°F - 176°F (0°C - 80°C)  
 Dimmable: 0-10 VDC Dimmer  
 Lens Cover: Tempered Glass/Stainless Steel  
 Warranty: 5 years

