

PROJECT NAME: _____

LOCATION: _____

SPECIFIER ITEM NO. _____ **QTY:** _____

ENCORE PART NO. _____

Encore[®] Pot Filler/Wok Faucet with
 16" Tubular Swing Spout and 4" (102mm)
 Wrist Blade Handle with Shut-Off Valve
KL76-9016-SV1



Solid heavy duty cast body is specification and commercial quality

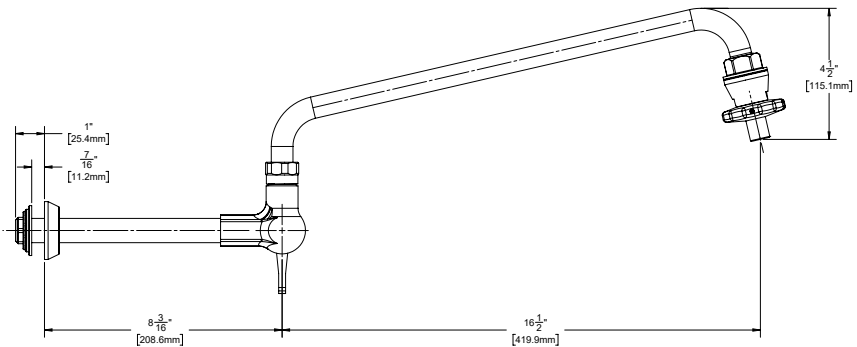
Commercial Quality Features

- Tubular swing spout design
- ADA-compliant 4" (102mm) wrist blade handle
- Leak proof double O-ring spout design

SPECIFICATIONS:

Wall Mount Spout Base to be Encore KL76-9016-SV1.

Pot filler/wok faucet to be constructed of polished chrome plated brass with 4" (102mm) wrist blade handle. Valve to be 1/4-turn with integral check valve to prevent cross-flow and back-flow. Spout to be 16" stainless steel tubular swing style with leak proof double O-ring seal design.



Dimensions shown in inches (mm) are for reference only and are subject to change.

1-1/8" (29mm) hole for backsplash is recommended to accommodate 1/2" supply nipple
 1/2" NPS Inlet
 Operating Temperature: 40-180°F (5-83°C)
 Operating Pressure: 15-125psi

Approximate shipping weight - 4 lbs
 Warranty - 2 years parts

COMPLIES WITH:
 THE FEDERAL "REDUCTION OF LEAD
 IN DRINKING WATER ACT" –
 2011 – US SENATE BILL NO. S.3874
 NSF/ANSI 61/9, ANNEX G

