

PROJECT NAME: _____

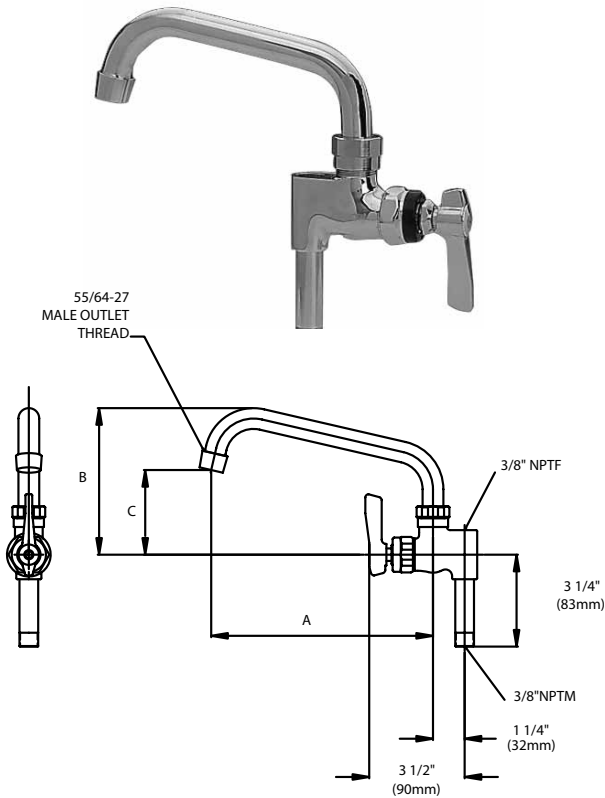
LOCATION: _____

SPECIFIER ITEM NO. _____ **QTY:** _____

ENCORE PART NO. _____

Encore[®] Add-On Faucet with Swing Spout
KL55-70xx-SE1 Series

- KL55-7006-SE1 6" Straight Swing Spout
- KL55-7008-SE1 8" Straight Swing Spout
- KL55-7010-SE1 10" Straight Swing Spout
- KL55-7012-SE1 12" Straight Swing Spout
- KL55-7014-SE1 14" Straight Swing Spout
- KL55-7016-SE1 16" Straight Swing Spout



Dimensions shown in inches (mm) are for reference only and are subject to change.

3/8" NPT Male Riser Inlet
 3/8" FPT Female Outlet
 Operating Temperature: 40-180°F (5-83°C)
 Operating Pressure: 15-125psi

Approximate shipping weight - 2 lbs
 Warranty - 2 years parts

Add-on faucet extends flexibility of pre-rinse assemblies

Swivel Spout Capability

- Permits full spout swing without interference with riser pipe
- Separate valve controls spout flow
- Stainless steel spout

SPECIFICATIONS:

Add-On Faucet to be Encore KL55 Series in the following configuration:

- ___ KL55-7006-SE1 6" Straight Swing Spout
- ___ KL55-7008-SE1 8" Straight Swing Spout
- ___ KL55-7010-SE1 10" Straight Swing Spout
- ___ KL55-7012-SE1 12" Straight Swing Spout
- ___ KL55-7014-SE1 14" Straight Swing Spout
- ___ KL55-7016-SE1 16" Straight Swing Spout

Faucet body to be constructed of polished chrome plated brass with total lead content less than 0.25% by weighted average. Faucet to have 1/4"-turn lever handle and 1/4"-turn valve standard. Spout to be stainless steel tubular swing style with leak proof double O-ring seal design. 2.2gpm aerator @ 60psi standard.

Model No.	A	B	C
KL55-7006-SE1	6" (152mm)	4-3/4" (121mm)	2-1/2" (64mm)
KL55-7008-SE1	8" (203mm)	5-1/4" (133mm)	3" (76mm)
KL55-7010-SE1	10" (254mm)	5-3/4" (146mm)	3-1/2" (89mm)
KL55-7012-SE1	12" (305mm)	6-1/4" (159mm)	4" (102mm)
KL55-7014-SE1	14" (356mm)	6-3/4" (171mm)	4-1/2" (114mm)
KL55-7016-SE1	16" (406mm)	7-1/4" (184mm)	5" (127mm)

COMPLIES WITH:
 ASME A112.18.1-2005
 CSA B125.1-05
 NSF/ANSI 61/9, ANNEX G
 SECTION 116875 OF THE
 CALIFORNIA HEALTH & SAFETY CODE
 (COMMONLY KNOWN AS AB1953)
 VERMONT ACT 193
 UNIFORM PLUMBING CODE

