

PROJECT NAME: _____

LOCATION: _____

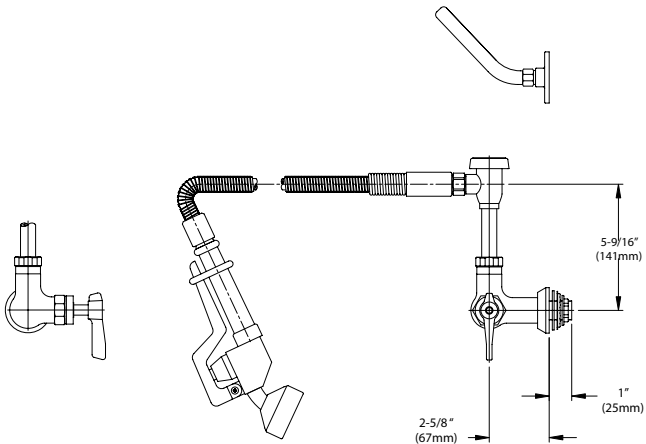
SPECIFIER ITEM NO. _____ **QTY:** _____

ENCORE PART NO. _____

Encore[®] Low Lead Wall Mount
 Utility Spray Assembly

KL69-2x00-xx

- KL69-2000 Compression valves,
no vacuum breaker
- KL69-2100 Ceramic Valves,
no vacuum breaker
- KL69-2000-VB Compression valves
with vacuum breaker
- KL69-2100-VB Ceramic valves
with vacuum breaker



Dimensions shown in inches (mm) are for reference only and are subject to change.

1-1/8" (29mm) holes for deck are recommended to accommodate 1/2" supply nipples.
 1/2" NPS inlets and 1/4" NPT compression fitting inlets
 Operating Temperature: 40-180°F (5-83°C)
 Operating Pressure: 15-125psi

Approximate shipping weight - 10 lbs
 Warranty - 2 years parts

Solid heavy duty cast body is specification and commercial quality

Commercial Quality Features

- Provided with 3.3gpm, 1.6gpm, and 1.2gpm spray faces
- ADA-compliant lever handles
- 72" flexible S/S hose with Kool Grip[™] handle

SPECIFICATIONS:

Low Lead Wall Mount Utility Spray to be Encore KL69-2000 Series in the following configuration:

- _____ KL69-2000 Compression Valves Without Vacuum Breaker
- _____ KL69-2100 Ceramic Valves Without Vacuum Breaker
- _____ KL69-2000-VB Compression Valves With Vacuum Breaker
- _____ KL69-2100-VB Ceramic Valves With Vacuum Breaker

Faucet body to be constructed of polished chrome plated brass with lever handles. Valves to be 1/4-turn with integral check valve to prevent cross-flow and back-flow. Hose to be 72" flexible stainless steel with Kool Grip[™] handle. Hose to have Santoprene[®] reinforced inner hose. Hold open ring and hose wall hook to be included.

COMPLIES WITH:
 ASME A112.18.1-2005
 CSA B125.1-05
 NSF/ANSI 61/9, ANNEX G
 SECTION 116875 OF THE
 CALIFORNIA HEALTH & SAFETY CODE
 (COMMONLY KNOWN AS AB1953)
 VERMONT ACT 193
 UNIFORM PLUMBING CODE

