

**PROJECT NAME:** \_\_\_\_\_

**LOCATION:** \_\_\_\_\_

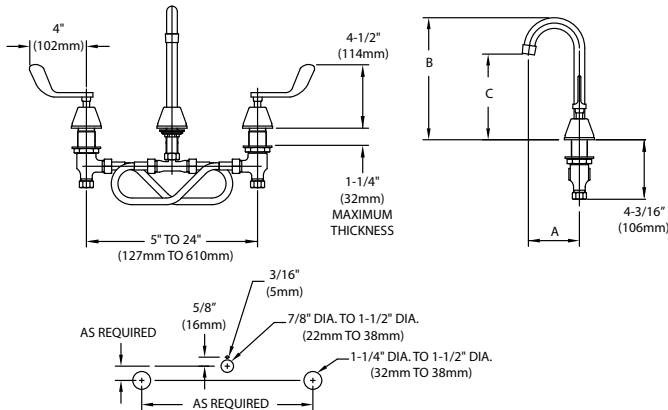
**SPECIFIER ITEM NO.** \_\_\_\_\_ **QTY:** \_\_\_\_\_

**ENCORE PART NO.** \_\_\_\_\_

Encore<sup>®</sup> Deck Mount Widespread Faucet with Rigid Gooseneck Spout and 4" (102mm) Wrist Blade Handles

**KL84-8x0x-RE4 Series**

- KL84-8100-RE4 3" Spout, Ceramic Valves
- KL84-8000-RE4 3" Spout, Compression Valves
- KL84-8101-RE4 8" Spout, Ceramic Valves
- KL84-8001-RE4 8" Spout, Compression Valves
- KL84-8102-RE4 6" Spout, Ceramic Valves
- KL84-8002-RE4 6" Spout, Compression Valves



Dimensions shown in inches (mm) are for reference only and are subject to change.

1/2" NPSM Male Inlets with Compression Fittings  
 Operating Temperature: 40-180°F (5-83°C)  
 Operating Pressure: 15-125psi  
 1-1/8" (29mm) holes for deck are recommended to accommodate 1/2" supply nipple.

Approximate shipping weight - 8 lbs  
 Warranty - 2 years parts

Solid heavy duty cast body is specification and commercial quality

**Commercial Quality Features**

- Rigid gooseneck spout design
- ADA-compliant 4" (102mm) wrist blade handles
- Built-in check valve to prevent cross-flow and back-flow
- Stainless steel spout

**SPECIFICATIONS:**

Deck Mount Faucet to be Encore KL84 Series in the following configuration:

- \_\_\_\_\_ KL84-8100-RE4 3" Spout, Ceramic Valves
- \_\_\_\_\_ KL84-8000-RE4 3" Spout, Compression Valves
- \_\_\_\_\_ KL84-8101-RE4 8" Spout, Ceramic Valves
- \_\_\_\_\_ KL84-8001-RE4 8" Spout, Compression Valves
- \_\_\_\_\_ KL84-8102-RE4 6" Spout, Ceramic Valves
- \_\_\_\_\_ KL84-8002-RE4 6" Spout, Compression Valves

Faucet body to be constructed of polished chrome plated brass. Faucet to have 5"-12" adjustable inlet centers and wrist blade handles. Valves to be 1/4-turn with integral check valve to prevent cross-flow and back-flow. Spout to be stainless steel rigid gooseneck style. Color coded temperature indexes shall meet international standards. 2.2gpm aerator @ 60psi standard with full flow stream bubbler screen spout tip.

Model No.	A	B	C
KL84-8100-RE4	3-1/2" (89mm)	8-1/2" (216mm)	6" (152mm)
KL84-8000-RE4	3-1/2" (89mm)	8-1/2" (216mm)	6" (152mm)
KL84-8101-RE4	8-1/2" (216mm)	12-1/2" (317mm)	6-1/4" (159mm)
KL84-8001-RE4	8-1/2" (216mm)	12-1/2" (317mm)	6-1/4" (159mm)
KL84-8102-RE4	6" (152mm)	9-1/2" (241mm)	5-1/2" (140mm)
KL84-8002-RE4	6" (152mm)	9-1/2" (241mm)	5-1/2" (140mm)

COMPLIES WITH:  
 THE FEDERAL "REDUCTION OF LEAD  
 IN DRINKING WATER ACT" -  
 2011 - US SENATE BILL NO. S.3874  
 NSF/ANSI 61/9, ANNEX G

