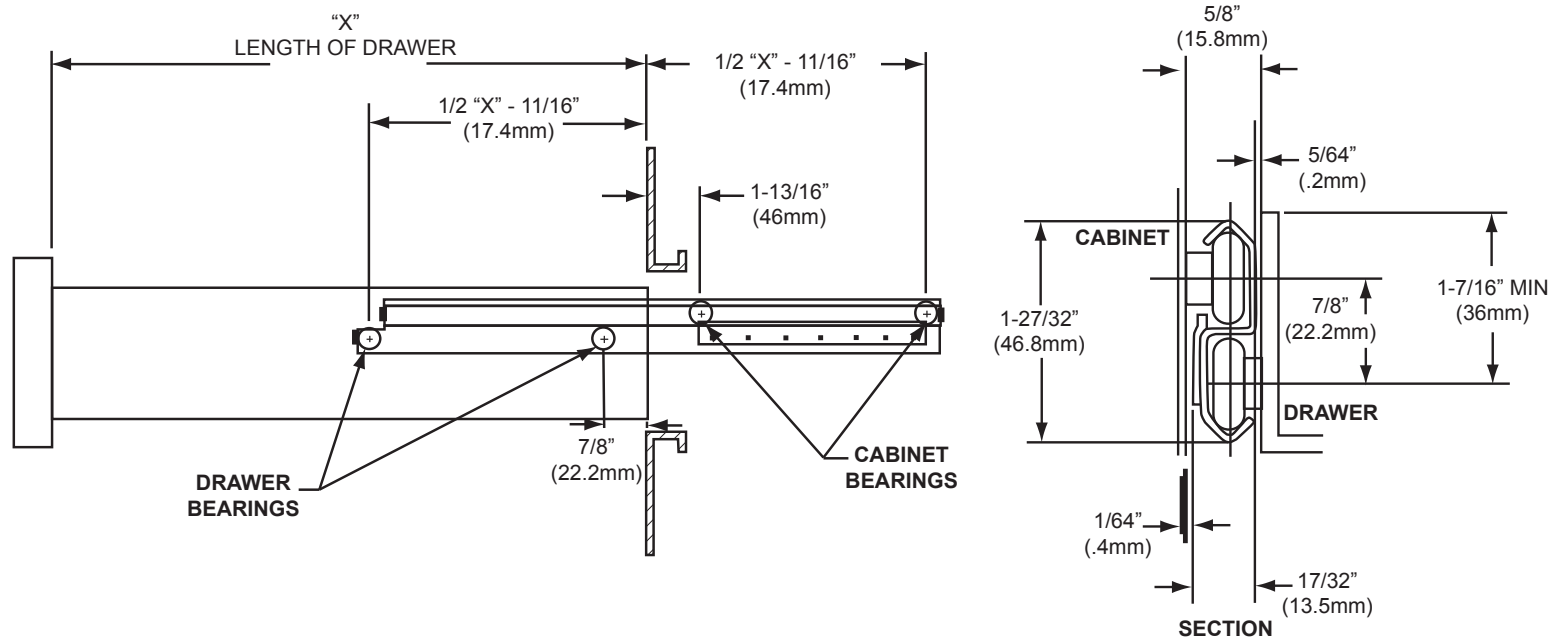


# MOUNTING INSTRUCTIONS FOR S26/S10 SERIES FULL EXTENSION DRAWER SLIDES



These instructions serve as a general guide for the installation of S26 and S10 Series Full Extension Drawer Slides. The location of bearings can be modified to suit your specific application.

NOTE: If self-closing drawers are required, position the rear bearings lower than the front bearings.



**COMPONENT  
HARDWARE**

1890 Swarthmore Ave. PO Box 2020, Lakewood, NJ 08701 • Phone 800-526-3694 • Fax 732-364-8110 • [www.componenthardware.com](http://www.componenthardware.com)