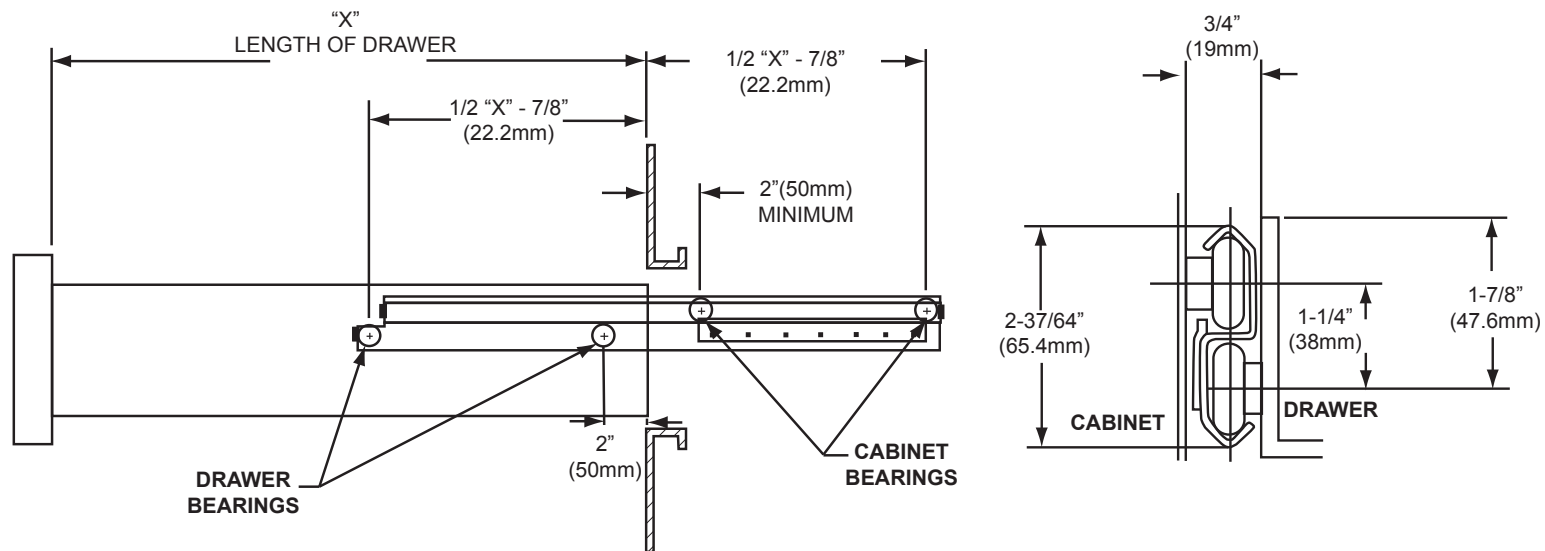


# MOUNTING INSTRUCTIONS FOR S52 SERIES FULL EXTENSION DRAWER SLIDES



**These instructions serve as a general guide for the installation of S52 Full Extension Drawer Slides. The location of bearings can be modified to suit your specific application.**

**NOTE:** If self-closing drawers are required, position the rear bearings lower than the front bearings.



1890 Swarthmore Ave. PO Box 2020, Lakewood, NJ 08701 • Phone 800-526-3694 • Fax 732-364-8110 • [www.componenthardware.com](http://www.componenthardware.com)